

Godox 神牛

LED Video Light

LED 摄影灯



深圳市神牛摄影器材有限公司

GODOX Photo Equipment Co., Ltd.

地址/Add: 深圳市宝安区福永镇福洲大道西新和村华发工业园A4栋
Building A4, Xinhe Huafa Industrial Zone, Fuzhou RD West, Fuyong
Town, Baoan District, Shenzhen 518103, China

电话/Tel: +86-755-29609320(8062) 传真/Fax: +86-755-25723423

邮箱/E-mail: godox@godox.com

705-LED308-05

Instruction manual | 说明手册

Chinese English Bilingual | 中英文双语

型号/Model: **LED308 II**

八、产品参数

LED灯	白光版LED308W II	黄光版LED308Y II	变色版LED308C II
锂电池供电	7.4V锂电池(NP-F970接口)(需另购)		
DC电源供电	6.5~12V		
频道	16个		
组别	6组(A、B、C、D、E、F)		
功率	最大21W		
色温	5600K±300K	3300K±300K	3300K-5600K ±300K
100%光照度(LUX)	860(1米)	860(1米)	860 (1米/4100K) 430 (1米/3300K) 430 (1米/5600K)
调光范围	10%~100%	10%~100%	3300K/5600K :10%~100% 3400K~5500K :25%~100%
灯珠数量	308个	308个	5600K: 154个 3300K: 154个
工作环境温度	-10~50度		
产品尺寸	180mm*185mm*40mm(不包含手柄尺寸)		
净重	400g		

遥控器	RC-A5
供电	3.0V(AAA*2)(不包含)
无线频率	433MHz
距离(空旷)	≥20米
频道	16个
分组遥控	6组(A, B, C, D, E, F)
待机时间	1年以上
工作环境温度	-10~50度
产品尺寸	120mm*38mm*15mm
净重	30g

设计和规格如有变更，恕不另行通知。

Foreword:

Thank you for purchasing this Godox Product!

This LED video light is excellent for macrophotography, product shooting, photojournalistic and video recording, etc. The lightweight and portable light provides high brightness and accurate color temperature. Three types are available: LED308W II White Version (5600K), LED308Y II Yellow Version (3300K), and LED308C II Changeable Version (3300~5600K).

Features:

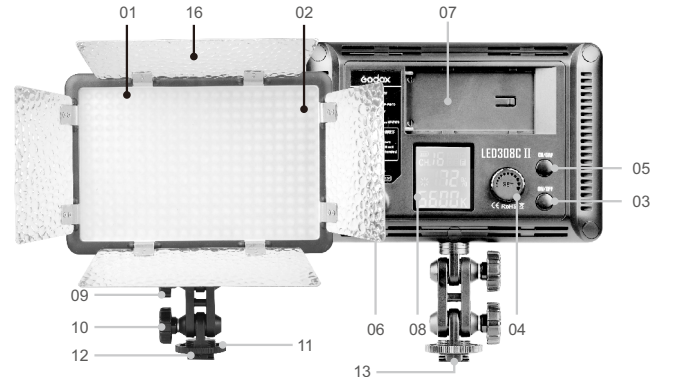
- 308-LED-bulbs panel is lithium-ion or DC powered
- Wireless 433MHz grouping system (6 groups & 16 channels)
- Wirelessly adjust brightness or color temperature
- Include a remote control, a portable handle, a mini stand
- Large-sized LCD panel. Settings auto saved. Quickly change panel angle
- Fits almost any cameras and camcorders

Type	Model
White Version(Color Temperature 5600K)	LED308W II
Yellow Version(Color Temperature 3300K)	LED308Y II
Changeable Version (Color Temperature 3300K~5600K)	LED308C II

⚠ Warning:

- ⚠ Always keep this product dry. Do not use in rain or in damp conditions.
- ⚠ Do not disassemble. Should repairs become necessary, this product must be sent to an authorized maintenance center.
- ⚠ Keep out of reach of children.
- ⚠ As this product do not have waterproof function, please take measures of waterproof in rainy or damp environment.
- ⚠ Do not use or store the product if the ambient temperature reads over 50°C.
- ⚠ Do not use the flash unit in the presence of flammable gases, chemicals and other similar materials. In certain circumstance, these materials may be sensitive to the strong light emitting from this flash unit and fire or electromagnetic interference may result.
- ⚠ Observe precautions when handling batteries
 - Do not put batteries into a fire or apply direct heat to them.
 - Batteries are prone to leakage when fully discharged. To avoid damage to the product, be sure to remove batteries when the product is not used for a long time or when batteries run out of charge.
 - Should liquid from the batteries come into contact with skin or clothing, rinse immediately with fresh water.

Parts

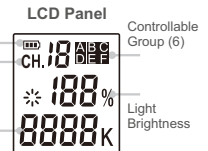


Body

01. 308 LED Beads
02. Color Filters
03. Power Switch
04. Select Dial + SET Button
05. CH/GRP Button
06. DC Power Jack
07. Lithium Battery Compartment
08. LCD Panel (White in Blue)
09. Angle Adjusting Knob A
10. Angle Adjusting Knob B
11. Locking Ring
12. Camera Hotshoe Connection
13. 1/4" Bracket Mounting Hole
14. Handle
15. Mini Stand
16. Reflector

Remote Control:

01. LCD Panel (Black in White)
02. Power Switch
03. CH/GRP Button
04. SET Button
05. "-" Button
06. "+" Button
07. Battery Compartment
08. Battery Compartment Cover



Power Management

1. Power Supply

Two power supply modes are available:



- Using lithium battery: This light uses SONY NP-F970 model lithium battery



- Using DC power jack: This light can be powered by DC power supply. Use a 6.5~12V adapter (purchased separately) to connect the light with the DC power supply.

Note:

- When using lithium battery, the Battery Level Indicator is displayed on the LCD panel. When the indicator blinks, the lithium battery power is low. Please recharge it immediately before usage in order to avoid forceful auto off.
- When using DC power supply, the indicator is not displayed when the voltage is over 10V.

2. Installing Lithium Battery

- Turn the Power Switch (03) off.
- Target the socket of the lithium battery towards the "+" "-" contacts of the Battery Compartment (07). Push the battery in until it locks.
- Power the light on.
- After using the light, please power it off.



Using the Video Light



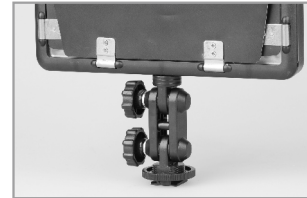
1. On the Camera

- Screw the Locking Ring (11) to the highest point and insert the Camera Hotshoe Connection (12) horizontally into the hotshoe of a camera or a camcorder.
- Tighten the Locking Ring (11).



2. By the Handle

- Screw the Locking Ring (11) to the highest point and install the handle onto the 1/4" Bracket Mounting Hole (13).
- Tighten the Locking Ring (11).



3. On the Mini Stand

- Screw the Locking Ring (11) to the highest point and insert the Camera Hotshoe Connection (12) horizontally into the hotshoe of the mini stand.
- Tighten the Locking Ring (11).



4. On the Light Stand

- Screw the Locking Ring (11) to the highest point and install the light stand onto the 1/4" Bracket Mounting Hole (13).
- Tighten the Locking Ring (11).

Note: If your camcorder has no hotshoe connection, you are advised to purchase a connecting bracket for camcorder. The video light has a 1/4" Bracket Mounting Hole as your camcorder does. Therefore, you can easily connect both the light and the camcorder to the bracket.

Operation

1. Before Usage

- Insert the lithium battery or connect the light with the DC power supply.
- Switch the power on, the video light giving out light.
- LCD panel shows the information.



2. Light Brightness/Color Temperature Adjustment

Adjusting Light Brightness

- Turn the select dial to adjust the light brightness.

The light brightness adjustable range changes at different color temperature with different models.

Model	Color Temperature	Light Brightness Range
LED308Y II	3300K	10%~100%
LED308W II	5600K	
LED308C II	3300K/5600K	10%~100%
	3400K~5500K	25%~100%

Adjusting Color Temperature

- Press the SET button once and the color temperature icon blinks.

Turn the select dial to adjust color temperature.

Color temperature range:

White Version LED308W II	Yellow Version LED308Y II	Changeable Version LED308C II
5600K	3300K	3300K~5600K

NOTE: Color temperature of LED 308W II or LED 308Y II is invariable. The LCD panel only shows 5600K or 3300K.

3. Wireless Remote Control

With 433 MHz wireless system, this product has remote grouping and control function. Up to 6 groups of LED light can be controlled. 16 channels are available with strong anti-interference capability.

Please set the channels and groups of LED video light to the same as those of remote control before usage.

Adjusting Channel/Group of the LED Video Light

- Press the CH/GRP button and the group icon blinks. Turn the select dial to choose a group ID (A to F).
- Press the CH/GRP button twice and the channel icon blinks. Turn the select dial to choose a channel ID (1 to 16).

Adjusting Channel/Group of the Remote Control

- Press the CH/GRP button and the group icon blinks. Press the "+" "-" button to choose a group ID (A to F).
- Press the CH/GRP button twice and the channel icon blinks. Press the "+" "-" button to choose a channel ID (1 to 16).

Adjusting Light Brightness/Color Temperature with the Remote Control

- Press the "+" "-" button to adjust the light brightness.
- Press the SET button of the remote control once and the color temperature icon blinks. Press the "+" "-" button to adjust the color temperature.

Note: The wireless signal can be received only when the LED light is power on.

Other Operation Tips:

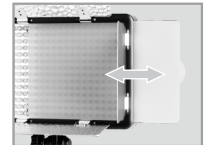
- Pressing the ON/OFF button on the remote control can only turn on/off all the LED groups instead of powering it on or off. When received the "OFF" command from the remote control, LED video light stop lighting up and LCD panel gets dark with "OFF" displayed. If this continues for four hours without any other operation, the LED video light will auto power off and the remote control will not work.
- Pressing the "SET" button on the remote control for 2 seconds can only turn on/off the current LED group instead of powering it on or off.
- The remote control will auto power off after four hours of idle operation.

Tips of Using Remote Control:

- (1) When using the White Version LED308W II, please set the color temperature of the remote control as 5600K constantly;
- (2) When using the Yellow Version LED308Y II, please set the color temperature of the remote control as 3300K constantly;
- (3) Please remove the battery if the light will not be used for an extended period of time.

4. Replacing A Color Filter

- Pinch the edge of the color filter (02) and pull it out.
- Insert a new color filter in and push it to the left.
Then the color filter is securely in position.



What's in the Box of LED 308 II?

NO.	Included Item	LED308W II	LED308Y II	LED308C II
1	LED Video Light	1 PC	1 PC	1 PC
2	Remote Control	1 PC	1 PC	1 PC
3	Handle	1 PC	1 PC	1 PC
4	Mini Stand	1 PC	1 PC	1 PC
5	Diffusion Filter	1 PC	1 PC	1 PC
6	Yellow Filter	1 PC	NO	NO
7	Blue Filter	1 PC	1 PC	NO



LED Video Light

Remote Control

Handle

Mini Stand

Technical Data:

LED 308 II Video Light	White Version LED308W II	Yellow Version LED308Y II	Changeable Version LED308C II
Lithium Battery	7.4V Lithium Battery(SONY NP-F970 model lithium battery) (sold separately)		
DC Power Supply	6.5~12V		
Channel	16		
Group	6 groups(A, B, C, D, E, F)		
Power	Max.21W		
Color Temperature	5600K±300K	3300K±300K	3300K~5600K ±300K
Brightness(LUX)	860 (1m)	860 (1m)	860(1m/4100K)
			430(1m/3300K)
			430(1m/5600K)
Light Brightness Range	10%~100%	10%~100%	3300K/5600K : 10%~100%
			3400K~5500K : 25%~100%
LED Beads Quantity	308	308	5600K : 154
			3300K : 154
Operation Temperature	-10~50 °C		
Dimension	180mm*185mm*40mm(not with the Handle)		
Net Weight	400g		

Remote Control	RC-A5
Power Supply	3.0V(AAA*2)(not include)
Wireless Frequency	433MHZ
Distance(emptyness)	≥20m
Channel	16
Group	6 groups(A, B, C, D, E, F)
Standby Time	Over one year
Operation Temperature	-10~50 °C
Dimension	120mm*38mm*15mm
Net weight	30g

* Product design and specifications are subject to change without notice.